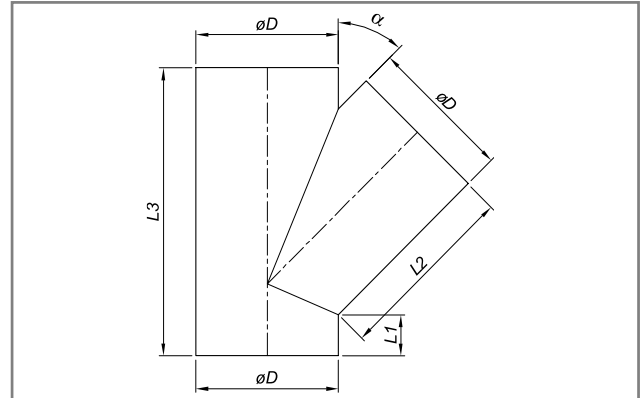


Advantages of Ventiflex

The lowest static pressure loss and energy consumption will be achieved by using a Ventiflex Branch at the closest angle to the new direction of the air supply. This ensures the least vibrations and mechanical stress and lowest energy consumption.

Installation

The Ventiflex Branch is equipped with eyelets on ribs and comes with suspension hooks. The Branch comes complete with the specified coupling mechanism. When reduction to a smaller diameter is requested, please see Ventiflex Reducer data sheet.



Options and Accessories

- Extra suspension ribs and eyelets at 180° opposite the standard position for use allows left or right branch.
- Custom made angle

How to order

89001003 Ventiflex Branch/Grade/ ϕD /Angle/ Direction/
Type of coupling/Type of suspension hook

Technical Specifications

Grade	Ventiflex	FR	FRAS
Angle	Branch	30-45-60°	
Zeta	ζ	0.2-2.0	
Direction	Branch	Left (L)/Right (R)	
Direction	Branch	Left and Right (LR)	
ϕD	mm	Duct diameter	
Suspension	Hook	VF or LP	
Coupling	Type	VF, Velcro or Zip	

The Zeta loss factor will vary over a range normally from 0.2 to 2.0 depending of the angle and the air flow to the branch-off system. For details contact Protan or see general diagrams of branch-off.

ϕD mm	$\alpha = 45^\circ$			FR	FRAS
	L1 mm	L2 mm	L3 mm	W ~kg*	W ~kg*
500	150	650	1 000	5.6	6.0
600	480	1 080	1 808	7.4	7.9
700	560	1 260	2 110	9.4	10
800	640	1 440	2 410	12	12
900	720	1 620	2 713	14	15
1000	800	1 800	3 014	17	18
1100	880	1 980	3 315	19	21
1200	960	2 160	3 617	22	24
1300	1 040	2 340	3 918	26	27
1400	1 120	2 520	4 220	29	31
1500	1 200	2 700	4 521	33	35
1600	1 280	2 880	4 882	37	39
1700	1 360	3 060	5 124	41	43
1800	1 440	3 240	5 425	55	59
1900	1 520	3 420	5 727	60	64
2000	1 600	3 600	6 028	65	70
2100	1 680	3 780	6 329	71	76
2200	1 760	3 960	6 631	76	82
2300	1 840	4 140	6 932	82	88
2400	1 920	4 320	7 234	88	94
2500	2 000	4 500	7 530	95	102

* Without couplings